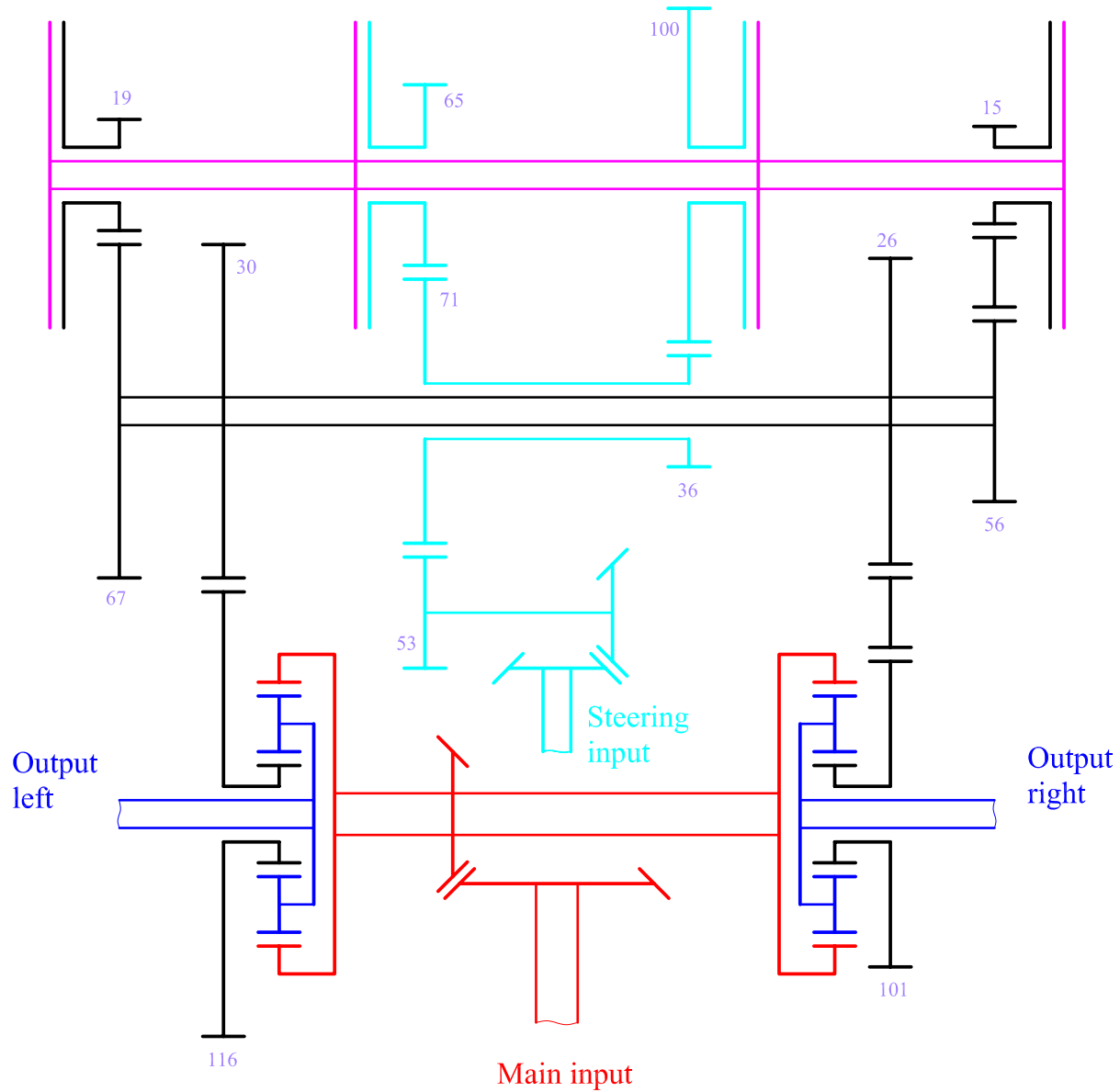


Clutch  
left turn

Clutch  
high speed

Clutch  
low speed

Clutch  
right turn



Name:	<b>Steering Unit</b>	
Scale:	na	NR: 06062602
Project:	Big Scale Tiger I Model	Author: Rob Veenendaal